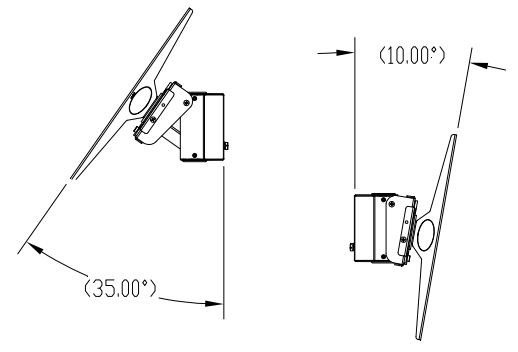
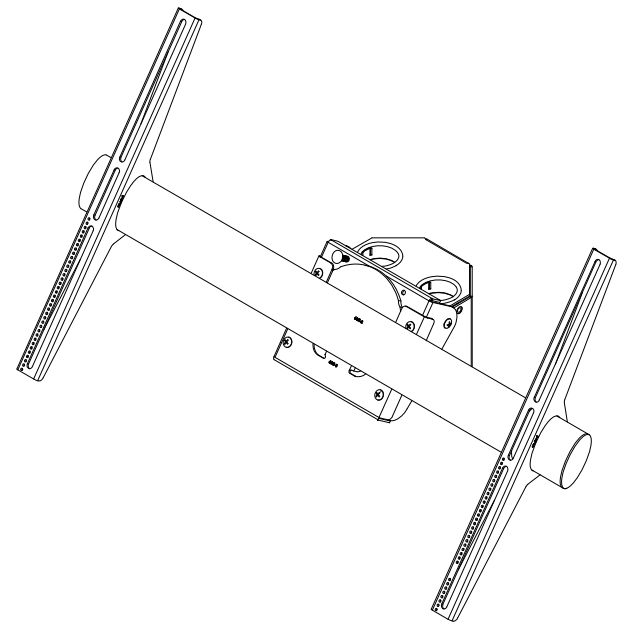
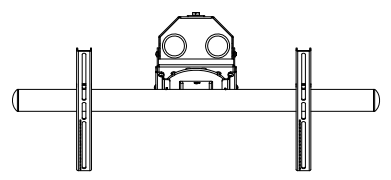
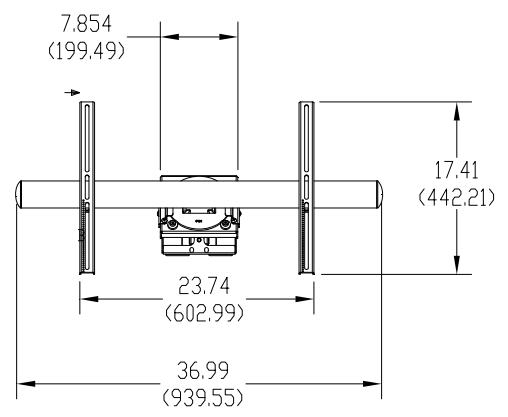


REPRODUCTION OF THIS DRAWING WITHOUT THE WRITTEN PERMISSION OF PREMIER MOUNT DIVISION OF PMP IS PROHIBITED.

REVISIONS			
REV.	DESCRIPTION	DATE	APPROVED



Architectural Specifications
 The mount will be a Premier Mounts RTM-L, or equivalent, and can be used to mount plasma, or LCD, displays from a variety of floor stand and mobile carts. It will be made of cold-rolled steel tubing and will support up to 160lbs. It will be UL listed and approved. Assembly and installation will be performed according to the instructions provided by the manufacturer.

Surface Types - Floor Stands and Mobile Carts
 Weight Capacity - 160lbs.
 Dimensions - 37.00" (W) x 17.21" (H - Universal Mounting Brackets)
 Adjustability - Rotational Capacity of 360°; Tilt Capability of ± 10° Down and 35° Up
 Attachment - Griplate™ and Washers